



**NORANDEX™**

EXTERIOR PRODUCTS FOR YOUR HOME

*See NEW Premium  
Stainless Steel Micro  
Mesh Gutter Screen  
Pg 21*

**RAINWARE & SIDING ACCESSORIES**

**Houston Plant**

**[www.acm-metals.com](http://www.acm-metals.com)**





**Table of Contents**

<b>Gutter Coil Conversion Chart .....</b>	<b>2</b>	<b>Hangers .....</b>	<b>13-15</b>
<b>Gutters .....</b>	<b>3</b>	Hidden .....	13
Gutter Coil .....	3	T-Bar .....	14
Spin Down Gutter Coil .....	3	Vampire .....	14
<b>Downspouts .....</b>	<b>4</b>	T-Wedges .....	15
<b>Elbows .....</b>	<b>5</b>	Gutter Wedges .....	15
<b>Variable Degree Elbows .....</b>	<b>6</b>	Hangers with Screws.....	15
<b>Conductor Heads .....</b>	<b>6</b>	<b>Rainware Accessories .....</b>	<b>16</b>
<b>Offsets .....</b>	<b>7-8</b>	Fascia Brackets .....	16
<b>Downspout Accessories .....</b>	<b>9-10</b>	<b>Round/Half Round Products .....</b>	<b>17-20</b>
Outlets.....	9	Half Round Gutters .....	17
Wire Strainers.....	9	Round Downspouts .....	17
PVC Adapters.....	9	Round Elbows .....	18
Y Adapters.....	9	Round Offsets .....	18
Y Diverters .....	10	Half Round Outlets.....	19
Downspout Bands.....	10	Half Round Miters .....	19
Downspout Clips.....	10	Half Round Slip Joints.....	19
Downspout Hinges.....	10	Half Round End Caps.....	19
Splash Blocks.....	10	Half Round Brackets.....	20
<b>Miters .....</b>	<b>11</b>	Half Round Hidden Hangers.....	20
Box Miters .....	11	Half Round T-Wedge Hangers .....	20
Bay Miters .....	11	<b>Gutter Protection .....</b>	<b>21</b>
Strip Miters.....	11	NX Gutter Protection Screen Systems.....	21
Extreme Miter™ .....	11	ACM Gutter Protection .....	22
<b>Joints &amp; End Caps .....</b>	<b>12</b>	<b>Siding Accessories .....</b>	<b>23</b>
Expansion Joints.....	12	Starter Strip .....	23
Slip Joints.....	12	Z-Bar .....	23
End Caps.....	12	Window Flashing.....	23
		<b>Norandex™ Aluminum Warranty .....</b>	<b>24</b>
		<b>Norandex™ Steel Warranty .....</b>	<b>25</b>

PROUDLY FINISHED WITH  
**SHERWIN-WILLIAMS®**  
*Coil Coatings*

**To place orders for metal products, please call:**  
Houston Plant Customer Service: **Ph 800-357-7523 • Fax 713-466-5404**  
[www.acm-metals.com](http://www.acm-metals.com)

For siding and window inquiries, please call Norandex™  
Corporate Customer Service at **800-528-0942**



## Gutter Coil Conversion Factors

(Determining Feet to Weight)

Coil Width	Material Thickness	Conversion Multiplier Formula			
11-3/4"	.027" Alum.	lin. ft. _____	X	.377 = _____	# lbs.
11-7/8"	.027" Alum.	lin. ft. _____	X	.380 = _____	# lbs.
14"	.027" Alum.	lin. ft. _____	X	.453 = _____	# lbs.
15"	.027" Alum.	lin. ft. _____	X	.476 = _____	# lbs.
11-3/4"	.032" Alum.	lin. ft. _____	X	.446 = _____	# lbs.
11-7/8"	.032" Alum.	lin. ft. _____	X	.450 = _____	# lbs.
13"	.032" Alum.	lin. ft. _____	X	.500 = _____	# lbs.
15"	.032" Alum.	lin. ft. _____	X	.571 = _____	# lbs.
18"	.032" Alum.	lin. ft. _____	X	.678 = _____	# lbs.
11-7/8"	26 ga. Steel	lin. ft. _____	X	.768 = _____	# lbs.
12"	26 ga. Steel	lin. ft. _____	X	.775 = _____	# lbs.
13"	26 ga. Steel	lin. ft. _____	X	.839 = _____	# lbs.
14"	26 ga. Steel	lin. ft. _____	X	.904 = _____	# lbs.
15"	26 ga. Steel	lin. ft. _____	X	.969 = _____	# lbs.
19"	26 ga. Steel	lin. ft. _____	X	1.23 = _____	# lbs.
11-7/8"	26 ga. Galvalume	lin. ft. _____	X	.72 = _____	# lbs.
15"	26 ga. Galvalume	lin. ft. _____	X	.90 = _____	# lbs.
11-7/8"	16 oz. Copper	lin. ft. _____	X	.99 = _____	# lbs.
15"	16 oz. Copper	lin. ft. _____	X	1.25 = _____	# lbs.

To process an order for a spin down quantity, determine the number of pounds based on the requested footage by the contractor. Enter the number of pounds on the ticket noting the required footage. After spinning down the required coil footage, re-weigh the coil to verify the actual pounds of coil taken out of inventory. Note the actual weight in shipped column of the ticket. Update the tickets to adjust the invoice accordingly. This process ensures proper invoicing and accurate inventory levels.

These coils are cut from master coils which are slightly thicker in the middle to avoid oil canning during the painting process. The gauge can vary slightly depending on where the coil was cut from the master coil. Inventory will vary if the product is sold by footage and not weight. Remember, product is purchased by the pound. Re-weighing is necessary for accuracy.

### A NOTE ABOUT COLOR SELECTION

NORANDEX™ provides color chip cards which show a close representation of the color. The purpose of color chip cards is to narrow down the homeowner choice of colors. Depending upon the substrate, the final selection should always be based on either an aluminum or steel color tile fan deck, viewed in full sunlight.

Metallic colors, such as Copper Penny (CP), Bronze (BZ), Rustic Copper (M2), and Weathered Bronze (WB), have mica (refractive) or aluminum (reflective) flakes added to the paint finish. The color of different products may be the same (as measured on a colorimeter), but the visual appearance may look slightly different when viewed from different angles and varying amount of sunlight. This is a normal occurring phenomenon and is due the chance positioning of the mica and aluminum flakes when added to the paint finish.

**Gutter Coil**

Part #	Description	Colors	Nom. Gauge/ Thickness	Pieces/ Pound	Rolls/ Pallet
<b>Gutter Coil</b>					
AGC21178 - -	Aluminum 11-7/8" Coil	(Listed Below)	0.027	Order by the lb.	3
AGC21178M2	Aluminum 11-7/8" Coil	M2 (Premium Color)	0.027	Order by the lb.	3
AGC215 - -	Aluminum 15" Coil	(Listed Below)	0.027	Order by the lb.	2
AGC215M2	Aluminum 15" Coil	M2 (Premium Color)	0.027	Order by the lb.	2
AGC31178M2	Aluminum 11-7/8" Coil	M2 (Premium Color)	0.032	Order by the lb.	3
AGC315WH	Aluminum 15" Coil	WH	0.032	Order by the lb.	2
AGC315M2	Aluminum 15" Coil	M2 (Premium Color)	0.032	Order by the lb.	2

**Spin Down Gutter Coil**

LSC61178	Galvalume 11-7/8" Coil	Mill	26 ga	Order by the lb.
LSC615	Galvalume 15" Coil	Mill	26 ga	Order by the lb.
CSC21178	Copper 11-7/8" Coil 1'/#	Copper	16 oz	Order by the lb.
CSC215	Copper 15" Coil	Copper	16 oz	Order by the lb.

**Rainware & Accessories Colors**

COLOR	CODE	COLOR	CODE	COLOR	CODE	COLOR	CODE	COLOR	CODE
NX ALMOND	AD	CAMEO	CA	EVEREST	EV	PEBBLESTONE CLAY	PC	NX SIERRA CLAY	SI
ALMOND	AL	CHARCOAL GREY	CG	EVERGREEN	EG	PG METALLIC	M3	TERRA BRONZE	TB
ANTIQUÉ IVORY	AI	CLASSIC CREAM	CC	HARBOR GREY	HG	REDWOOD	RW	• TUXEDO GREY	TX
BEAVER BROWN	BB	COPPER PENNY	CP	HERRINGBONE	HN	ROYAL BROWN	RB	VICTORIAN GREY	VG
BLACK	BK	COUNTRY BLUE	CU	NX LINEN	LN	*RUSTIC COPPER	M2	VILLAGE GREEN	VI
BRONZE	BZ	DESERT SAND	DS	LINEN	LI	NX SAND STONE	SS	WHITE	WH
BROOKSTONE	BS	NX DUNE	CD	MUSKET BROWN	MB	SANDTONE	ST	80 WHITE	80
BUCKSKIN	BU							WICKER	WI

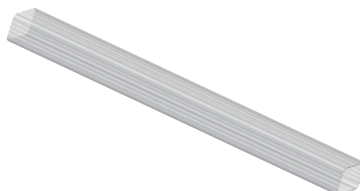
**\*Rustic Copper is a PREMIUM color. NOTE:** Rustic Copper (M2) accessories, including miters and end caps, may display paint finish variations due to the metallic painting process, which may affect matching components.

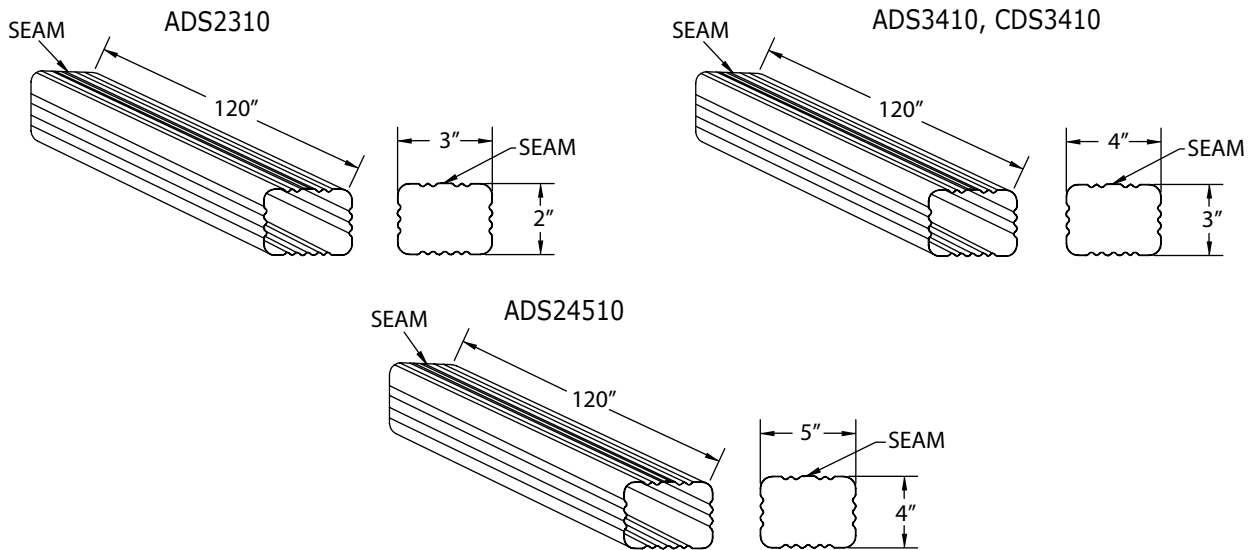
• Only available -.027: •11-7/8" TX •15" TX



# NORANDEX™ Downspouts

HOUSTON PLANT

Downspouts		Part #	Description	Colors	Nom. Gauge/ Thickness	Piece Length	Pieces/ Box	Boxes/ Pallet
	ADS238 - -	Aluminum 2 x 3 x 8' Downspout	(Listed Below)	0.019	8'	10	28	
	ADS238M2	Aluminum 2 x 3 x 8' Downspout	M2 (Premium Color)	0.019	8'	10	28	
	ADS2310 - -	Aluminum 2 x 3 x 10' Downspout	(Listed Below)	0.019	10'	10	28	
	ADS2310M2	Aluminum 2 x 3 x 10' Downspout	M2 (Premium Color)	0.019	10'	10	28	
	ADS348 - -	Aluminum 3 x 4 x 8' Downspout	(Listed Below)	0.019	8'	10	15	
	ADS348M2	Aluminum 3 x 4 x 8' Downspout	M2 (Premium Color)	0.019	8'	10	15	
	ADS3410 - -	Aluminum 3 x 4 x 10' Downspout	(Listed Below)	0.019	10'	10	15	
	ADS3410M2	Aluminum 3 x 4 x 10' Downspout	M2 (Premium Color)	0.019	10'	10	15	
	ADS24510 - -	Aluminum 4 x 5 x 10' Downspout	AL, AI, BK, BZ, CC, MB, RB, ST, SI, TB, WH, 80, WI	0.027	10'	6	15	
	GDS63410WH	Galvanized 3 x 4 x 10' Downspout	WH	26 ga	10'	10	15	
GDS63410ML	Galvanized 3 x 4 x 10' Downspout	Mill	26 ga	10'	10	15		
LDS238	Galvalume 2 x 3 x 8' Downspout	Mill	26 ga	8'	10			
LDS2310	Galvalume 2 x 3 x 10' Downspout	Mill	26 ga	10'	10			
LDS348	Galvalume 3 x 4 x 8' Downspout	Mill	26 ga	8'	10			
LDS3410	Galvalume 3 x 4 x 10' Downspout	Mill	26 ga	10'	5			
CDS2310	Copper 2 x 3 x 10' Downspout	Copper	10 oz	10'Order by the pc.				
CDS3410	Copper 3 x 4 x 10' Downspout	Copper	10 oz	10'Order by the pc.				



## Rainware & Accessories Colors


COLOR	CODE	COLOR	CODE	COLOR	CODE	COLOR	CODE	COLOR	CODE
NX ALMOND	AD	CAMEO	CA	EVEREST	EV	PEBBLESTONE CLAY	PC	NX SIERRA CLAY	SI
ALMOND	AL	CHARCOAL GREY	CG	EVERGREEN	EG	PG METALLIC	M3	TERRA BRONZE	TB
ANTIQUÉ IVORY	AI	CLASSIC CREAM	CC	HARBOR GREY	HG	REDWOOD	RW	TUXEDO GREY	TX
BEAVER BROWN	BB	COPPER PENNY	CP	HERRINGBONE	HN	ROYAL BROWN	RB	VICTORIAN GREY	VG
BLACK	BK	COUNTRY BLUE	CU	NX LINEN	LN	★RUSTIC COPPER	M2	VILLAGE GREEN	VI
BRONZE	BZ	DESERT SAND	DS	LINEN	LI	NX SAND STONE	SS	WHITE	WH
BROOKSTONE	BS	NX DUNE	CD	MUSKET BROWN	MB	SANDTONE	ST	80 WHITE	80
BUCKSKIN	BU							WICKER	WI

★Rustic Copper is a PREMIUM color. NOTE: Rustic Copper (M2) accessories, including miters and end caps, may display paint finish variations due to the metallic painting process, which may affect matching components.

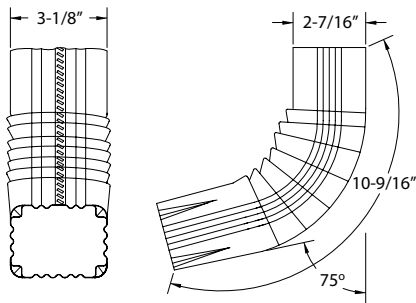


# NORANDEX™ Elbows

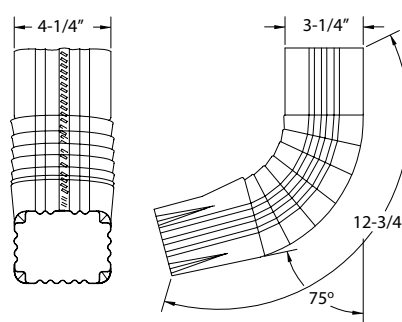
HOUSTON PLANT

Elbows	Part #	Description	Colors	Nom. Gauge/ Thickness	Piece Length	Pieces/ Box	Boxes/ Pallet
	AAE23 - -	Aluminum 2 x 3 A's Elbow	(Listed Below)	0.019	10-9/16"	30	32
	AAE23M2	Aluminum 2 x 3 A's Elbow	M2 (Premium Color)	0.019	10-9/16"	30	32
	AAE34 - -	Aluminum 3 x 4 A's Elbow	(Listed Below)	0.019	12-3/4"	30	28
	AAE34M2	Aluminum 3 x 4 A's Elbow	M2 (Premium Color)	0.019	12-3/4"	30	28
	AAE245 - -	Aluminum 4 x 5 A's Elbow	AL, AI, BK, BZ, CC, MB, RB, ST, SI, TB, WH, 80, WI	0.027	15-1/2"	9	12
	ABE23 - -	Aluminum 2 x 3 B's Elbow	(Listed Below)	0.019	11-1/2"	30	32
	ABE23M2	Aluminum 2 x 3 B's Elbow	M2 (Premium Color)	0.019	11-1/2"	30	32
	ABE34 - -	Aluminum 3 x 4 B's Elbow	(Listed Below)	0.019	15"	30	28
	ABE34M2	Aluminum 3 x 4 B's Elbow	M2 (Premium Color)	0.019	15"	30	28
	ABE245 - -	Aluminum 4 x 5 B's Elbow	AL, AI, BK, BZ, CC, MB, RB, ST, SI, TB, WH, 80, WI	0.027	15-3/4"	9	12
	LAE23	Galvalume 2 x 3 A's Elbow	Mill	26 ga	10-9/16"	30	
	LAE34	Galvalume 3 x 4 A's Elbow	Mill	26 ga	12-3/4"	30	
LBE23	Galvalume 2 x 3 B's Elbow	Mill	26 ga	11-1/2"	30		
LBE34	Galvalume 3 x 4 B's Elbow	Mill	26 ga	15"	30		
CAE23	Copper 2 x 3 A's Elbow	Copper	10 oz	10-9/16"	Order by the pc.		
CAE34	Copper 3 x 4 A's Elbow	Copper	10 oz	12-3/4"	Order by the pc.		
CBE23	Copper 2 x 3 B's Elbow	Copper	10 oz	11-1/2"	Order by the pc.		
CBE34	Copper 3 x 4 B's Elbow	Copper	10 oz	15"	Order by the pc.		

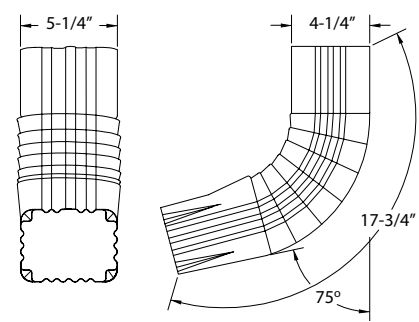
AAE23, CAE23 A-Elbow



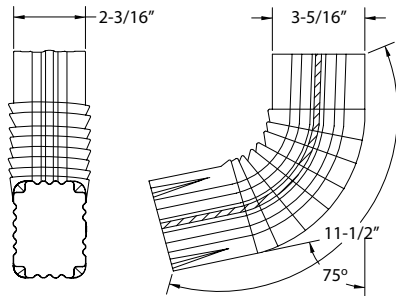
AAE34, CAE34 A-Elbow



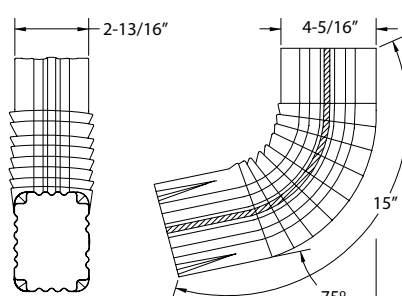
AAE245 A-Elbow



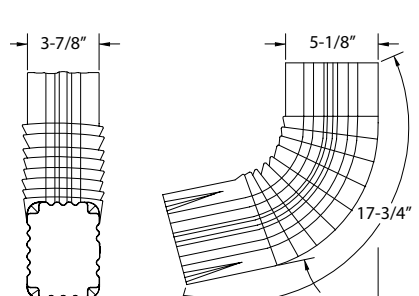
ABE23, CBE23 B-Elbow



ABE34, CAE34 B-Elbow



ABE245 B-Elbow



## Rainware & Accessories Colors

COLOR	CODE	COLOR	CODE	COLOR	CODE	COLOR	CODE	COLOR	CODE
NX ALMOND	AD	CAMEO	CA	EVEREST	EV	PEBBLESTONE CLAY	PC	NX SIERRA CLAY	SI
ALMOND	AL	CHARCOAL GREY	CG	EVERGREEN	EG	PG METALLIC	M3	TERRA BRONZE	TB
ANTIQUE IVORY	AI	CLASSIC CREAM	CC	HARBOR GREY	HG	REDWOOD	RW	TUXEDO GREY	TX
BEAVER BROWN	BB	COPPER PENNY	CP	HERRINGBONE	HN	ROYAL BROWN	RB	VICTORIAN GREY	VG
BLACK	BK	COUNTRY BLUE	CU	NX LINEN	LN	*RUSTIC COPPER	M2	VILLAGE GREEN	VI
BRONZE	BZ	DESERT SAND	DS	LINEN	LI	NX SAND STONE	SS	WHITE	WH
BROOKSTONE	BS	NX DUNE	CD	MUSKET BROWN	MB	SANDTONE	ST	80 WHITE	80
BUCKSKIN	BU							WICKER	WI

**\*Rustic Copper is a PREMIUM color. NOTE:** Rustic Copper (M2) accessories, including miters and end caps, may display paint finish variations due to the metallic painting process, which may affect matching components.



# NORANDEX™ Variable Degree Elbows

HOUSTON PLANT

## Variable Degree Elbows

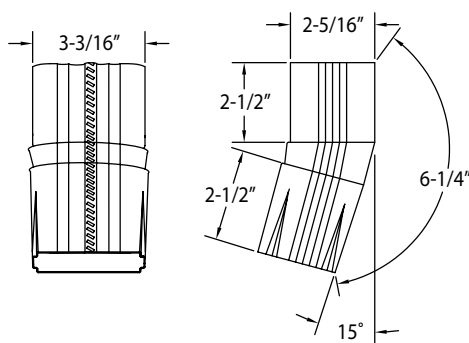
This chart shows the roof pitch paired to the approximate variable degree elbow.

ROOF PITCH	DEGREE
Mansard	15 <sup>0</sup>
18/12	22 <sup>0</sup>
16/12	22 <sup>0</sup>
14/12	22 <sup>0</sup>
12/12	30 <sup>0</sup>
10/12	45 <sup>0</sup>
8/12	45 <sup>0</sup>
6/12	45 <sup>0</sup>
4/12	75 <sup>0</sup>

Variable degree elbows are used to go around obstructions (ledge jumpers) or transition to the slope of the roof.

Part #	Description	Colors	Nom. Gauge/ Thickness	Piece Length	Pieces/ Box	Boxes/ Pallet
AAE2223 - -	Aluminum 2 x 3 A's 22 <sup>0</sup> Var. Deg. Elbow	(Listed Below)	0.019	6-3/4"	30	16
AAE2234 - -	Aluminum 3 x 4 A's 22 <sup>0</sup> Var. Deg. Elbow	(Listed Below)	0.019		30	16
AAE334 - -	Aluminum 3 x 4 A's 30 <sup>0</sup> Var. Deg. Elbow	(Listed Below)	0.019		30	16
AAE434 - -	Aluminum 3 x 4 A's 45 <sup>0</sup> Var. Deg. Elbow	(Listed Below)	0.019		30	16
ABE2223 - -	Aluminum 2 x 3 B's 22 <sup>0</sup> Var. Deg. Elbow	(Listed Below)	0.019	6-3/4"	30	16
ABE2234 - -	Aluminum 3 x 4 B's 22 <sup>0</sup> Var. Deg. Elbow	(Listed Below)	0.019		30	16
ABE334 - -	Aluminum 3 x 4 B's 30 <sup>0</sup> Var. Deg. Elbow	(Listed Below)	0.019		30	16
ABE434 - -	Aluminum 3 x 4 B's 45 <sup>0</sup> Var. Deg. Elbow	(Listed Below)	0.019		30	16

AAE123 A-Elbow



## Conductor Heads

Part #	Description	Colors	Nom. Gauge/ Thickness	Pieces/ Box
ACH3 - -	Aluminum 3" Conductor Head	RB, WH	0.019	4



ACH3

## Rainware & Accessories Colors

COLOR	CODE	COLOR	CODE	COLOR	CODE	COLOR	CODE	COLOR	CODE
NX ALMOND	AD	BUCKSKIN	BU	DESERT SAND	DS	MUSKET BROWN	MB	TERRA BRONZE	TB
ALMOND	AL	CAMEO	CA	EVEREST	EV	PEBBLESTONE CLAY	PC	TUXEDO GREY	TX
ANTIQUÉ IVORY	AI	CHARCOAL GREY	CG	EVERGREEN	EG	REDWOOD	RW	VICTORIAN GREY	VG
BEAVER BROWN	BB	CLASSIC CREAM	CC	HARBOR GREY	HG	ROYAL BROWN	RB	VILLAGE GREEN	VI
BLACK	BK	COPPER PENNY	CP	HERRINGBONE	HN	NX SAND STONE	SS	WHITE	WH
BRONZE	BZ	COUNTRY BLUE	CU	NX LINEN	LN	SANDTONE	ST	80 WHITE	80
BROOKSTONE	BS	NX DUNE	CD	LINEN	LI	NX SIERRA CLAY	SI	WICKER	WI





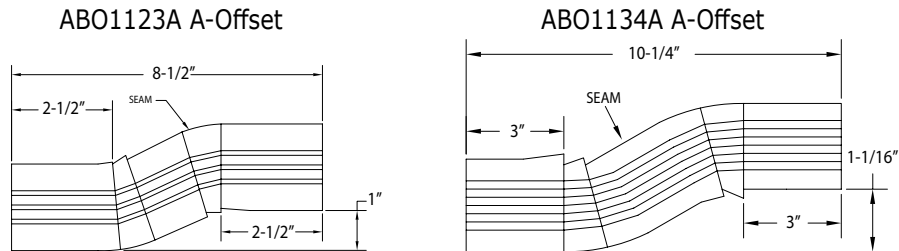
# NORANDEX™ Offsets

HOUSTON PLANT

Offsets	Part #	Description	Colors	Nom. Gauge/ Thickness	Pieces/ Box
	ABO1123A	Aluminum 2 x 3 - 1" A's Offset	(Listed Below)	0.019	24
	ABO1123AM2	Aluminum 2 x 3 - 1" A's Offset	M2 (Premium Color)	0.019	24
	ABO1223A	Aluminum 2 x 3 - 2" A's Offset	(Listed Below)	0.019	24
	ABO1223AM2	Aluminum 2 x 3 - 2" A's Offset	M2 (Premium Color)	0.019	24
	ABO1323A	Aluminum 2 x 3 - 3" A's Offset	(Listed Below)	0.019	24
	ABO1323AM2	Aluminum 2 x 3 - 3" A's Offset	M2 (Premium Color)	0.019	24
	ABO1423A	Aluminum 2 x 3 - 4" A's Offset	(Listed Below)	0.019	20
	ABO1423AM2	Aluminum 2 x 3 - 4" A's Offset	M2 (Premium Color)	0.019	20
	ABO1523A	Aluminum 2 x 3 - 5" A's Offset	(Listed Below)	0.019	20
	ABO1623A	Aluminum 2 x 3 - 6" A's Offset	(Listed Below)	0.019	20
	ABO1134A	Aluminum 3 x 4 - 1" A's Offset	(Listed Below)	0.019	24
	ABO1134AM2	Aluminum 3 x 4 - 1" A's Offset	M2 (Premium Color)	0.019	24
	ABO1234A	Aluminum 3 x 4 - 2" A's Offset	(Listed Below)	0.019	24
	ABO1234AM2	Aluminum 3 x 4 - 2" A's Offset	M2 (Premium Color)	0.019	24
	ABO1334A	Aluminum 3 x 4 - 3" A's Offset	(Listed Below)	0.019	24
	ABO1334AM2	Aluminum 3 x 4 - 3" A's Offset	M2 (Premium Color)	0.019	24
	ABO1434A	Aluminum 3 x 4 - 4" A's Offset	(Listed Below)	0.019	20
	ABO1434AM2	Aluminum 3 x 4 - 4" A's Offset	M2 (Premium Color)	0.019	20
ABO1534A	Aluminum 3 x 4 - 5" A's Offset	(Listed Below)	0.019	20	
ABO1634A	Aluminum 3 x 4 - 6" A's Offset	(Listed Below)	0.019	20	
ABO1634AM2	Aluminum 3 x 4 - 6" A's Offset	M2 (Premium Color)	0.019	20	
ABO1445A	Aluminum 4 x 5 - 4" A's	AL, AI, BK, BZ, CC, MB, RB, ST, SI, TB, WH, 80, WI	0.027	9	
ABO2A23A	Alum. 2 x 3 Two-Pc. Adj. 45° Offset	(Listed Below)	0.019	18 pcs./9 sets	
ABO2A34A	Alum. 3 x 4 Two-Pc. Adj. 45° Offset	(Listed Below)	0.019	18 pcs./9 sets	

We have several varieties of offset downspout connections to transition gracefully over a brick ledge. You can eliminate the awkward look of a two-piece configuration with our choice of 1" to 6" away-from-the-wall options.

All "A" Offsets also available in "B" profiles.  
**NOTE:** Rustic Copper (M2) available only in parts specified.



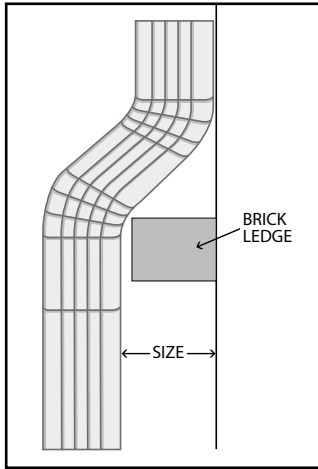
## Rainware & Accessories Colors

COLOR	CODE	COLOR	CODE	COLOR	CODE	COLOR	CODE	COLOR	CODE
NX ALMOND	AD	CAMEO	CA	EVEREST	EV	PEBBLESTONE CLAY	PC	NX SIERRA CLAY	SI
ALMOND	AL	CHARCOAL GREY	CG	EVERGREEN	EG	PG METALLIC	M3	TERRA BRONZE	TB
ANTIQUÉ IVORY	AI	CLASSIC CREAM	CC	HARBOR GREY	HG	REDWOOD	RW	TUXEDO GREY	TX
BEAVER BROWN	BB	COPPER PENNY	CP	HERRINGBONE	HN	ROYAL BROWN	RB	VICTORIAN GREY	VG
BLACK	BK	COUNTRY BLUE	CU	NX LINEN	LN	*RUSTIC COPPER	M2	VILLAGE GREEN	VI
BRONZE	BZ	DESERT SAND	DS	LINEN	LI	NX SAND STONE	SS	WHITE	WH
BROOKSTONE	BS	NX DUNE	CD	MUSKET BROWN	MB	SANDTONE	ST	80 WHITE	80
BUCKSKIN	BU							WICKER	WI

\*Rustic Copper is a PREMIUM color. **NOTE:** Rustic Copper (M2) accessories, including miters and end caps, may display paint finish variations due to the metallic painting process, which may affect matching components.



## Offsets *cont.*

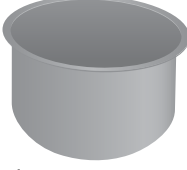
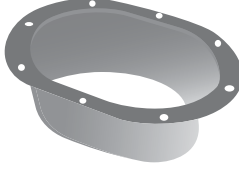


Part #	Description	Colors	Nom. Gauge/ Thickness	Pieces/ Box
LBO1123A	Galvalume 2 x 3 - 1" A's Offset	Mill	26 ga	24
LBO1223A	Galvalume 2 x 3 - 2" A's Offset	Mill	26 ga	24
LBO1323A	Galvalume 2 x 3 - 3" A's Offset	Mill	26 ga	24
LBO1423A	Galvalume 2 x 3 - 4" A's Offset	Mill	26 ga	20
LBO1623A	Galvalume 2 x 3 - 6" A's Offset	Mill	26 ga	20
LBO1134A	Galvalume 3 x 4 - 1" A's Offset	Mill	26 ga	24
LBO1234A	Galvalume 3 x 4 - 2" A's Offset	Mill	26 ga	24
LBO1334A	Galvalume 3 x 4 - 3" A's Offset	Mill	26 ga	24
LBO1434A	Galvalume 3 x 4 - 4" A's Offset	Mill	26 ga	20
LBO1634A	Galvalume 3 x 4 - 6" A's Offset	Mill	26 ga	20
CBO1123A	Copper 2 x 3 - 1" A's Offset	Copper	10 oz	Order by the pc.
CBO1223A	Copper 2 x 3 - 2" A's Offset	Copper	10 oz	Order by the pc.
CBO1423A	Copper 2 x 3 - 4" A's Offset	Copper	10 oz	Order by the pc.
CBO1523A	Copper 2 x 3 - 5" A's Offset	Copper	10 oz	Order by the pc.
CBO1134A	Copper 3 x 4 - 1" A's Offset	Copper	10 oz	Order by the pc.
CBO1234A	Copper 3 x 4 - 2" A's Offset	Copper	10 oz	Order by the pc.
CBO1334A	Copper 3 x 4 - 3" A's Offset	Copper	10 oz	Order by the pc.
CBO1434A	Copper 3 x 4 - 4" A's Offset	Copper	10 oz	Order by the pc.
CBO1534A	Copper 3 x 4 - 5" A's Offset	Copper	10 oz	Order by the pc.
CBO1634A	Copper 3 x 4 - 6" A's Offset	Copper	10 oz	Order by the pc.
CBO234	Copper 3 x 4 - 2" Offset	Copper	10 oz	Order by the pc.





# NORANDEX™ Downspout Accessories

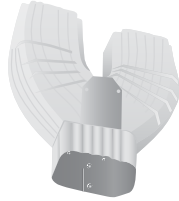
HOUSTON PLANT

Outlets		Part #	Description	Colors	Nom. Gauge/ Thickness	Pieces/ Box
Round Outlet 	AORE23ML	Aluminum 2 x 3 Rectangle Outlet	*	0.019	30	
	AORE34ML	Aluminum 3 x 4 Rectangle Outlet	*	0.019	50	
	AORE45ML	Aluminum 4 x 5 Rectangle Outlet	*	0.019	50	
	AORO238ML	Aluminum 2-3/8" Round Outlet	*	0.019	250	
	AORO234ML	Aluminum 2-3/4" Round Outlet	*	0.019	250	
	AORO338ML	Aluminum 3-3/8" Round Outlet	*	0.019	250	
	AOOV23ML	Aluminum 2 x 3 Oval Outlet	*	0.019	30	
	AOOV34ML	Aluminum 3 x 4 Oval Outlet	*	0.019	50	
	AOOV45ML	Aluminum 4 x 5 Oval Outlet	*	0.019	12	
	AOOVN34ML	Alum. 3 x 4 Oval Narrow Flange Outlet	*	0.019	50	
Oval Outlet 	GOOV23	Galvanized 2 x 3 Oval Outlet	Mill	28 ga	Order by the pc.	
	GOOV34	Galvanized 3 x 4 Oval Outlet	Mill	28 ga	Order by the pc.	
	GOOV4ML	Galvanized 4" Oval Drop Outlet	Mill	28 ga	Order by the pc.	
	CORE23	Copper 2 x 3 Rectangle Outlet	Copper	16 oz	Order by the pc.	
CORE34	Copper 3 x 4 Rectangle Outlet	Copper	16 oz	Order by the pc.		
CORO238	Copper 2-3/8" Round Outlet	Copper	16 oz	Order by the pc.		
CORO234	Copper 2-3/4" Round Outlet	Copper	16 oz	Order by the pc.		
COOV34	Copper 4" Oval Outlet	Copper	16 oz	Order by the pc.		

**\*NOTE:** Aluminum outlets made with mill or painted finish per manufacturer's discretion.

Wire Strainers		Part #	Description	Colors	Pieces/ Box
	GWS3	Gvanized 3" Wire Strainer	Mill	50	
	GWS4	Gvanized 4" Wire Strainer	Mill	50	

PVC Adapters		Part #	Description	Colors	Pieces/ Box
	APVC234WH	PVC 2 x 3 x 4 Flush Mount Adapter	WH	22	
	APVC344WH	PVC 3 x 4 x 4 Flush Mount Adapter	WH	24	
	APVC234BK	PVC 2 x 3 x 4 Flush Mount Adapter	BK	12	
	APVC344BK	PVC 3 x 4 x 4 Flush Mount Adapter	BK	12	

Y Adapters		Part #	Description	Colors	Nom. Gauge/ Thickness	Pieces/ Box
	AYA23 - -	Aluminum 2 x 3 Y Adapter	RB, WH	0.019	12	
	AYA34 - -	Aluminum 3 x 4 Y Adapter	RB, WH	0.019	10	

## Rainware & Accessories Colors

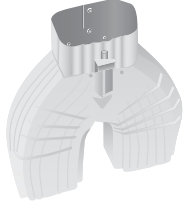
COLOR	CODE	COLOR	CODE	COLOR	CODE
BLACK	BK	ROYAL BROWN	RB	WHITE	WH



# NORANDEX™ Downspout Accessories

HOUSTON PLANT

## Y Diverters



Part #	Description	Colors	Nom. Gauge/ Thickness	Pieces/ Box
AYD23WH	Aluminum 2 x 3 Y Diverter	WH	0.019	10
AYD34WH	Aluminum 3 x 4 Y Diverter	WH	0.019	10
AYD34WHCO	Aluminum 3 x 4 Y Cut Off Diverter	WH	0.019	10

## Downspout Bands



Part #	Description	Colors	Nom. Gauge/ Thickness	Pieces/ Box
ADSPB34 - -	Universal Downspout Band	(Listed Below)	0.019	100
ADSPB34M2	Universal Downspout Band	M2 (Premium Color)	0.019	100
CDSPB34	Copper 3 x 4 Downspout Band	Copper	10 oz	Order by the pc.

## Downspout Clips



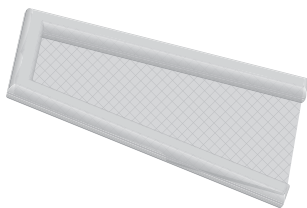
Part #	Description	Colors	Nom. Gauge/ Thickness	Pieces/ Box
ADSCP23 - -	Aluminum 2 x 3 Downpout Clip	(Listed Below)	0.032	100
ADSCP34 - -	Aluminum 3 x 4 Downpout Clip	(Listed Below)	0.032	50
ADSCP34M2	Aluminum 3 x 4 Downpout Clip	M2 (Premium Color)	0.032	50
CDSCP23	Copper 2 x 3 Downpout Clip	Copper	16 oz	Order by the pc.

## Downspout Hinges



Part #	Description	Colors	Pairs/ Bag	Bags/ Box	Pieces/ Box
AZHWH	Aluminum 2 x 3 / 3 x 4 Zip Hinge	WH	12 pairs	20	240 pairs
GDHA23WH	Galvanized 2 x 3 A Hinge	WH			12
GDHA34WH	Galvanized 3 x 4 A Hinge	WH			12
GDHB34WH	Galvanized 3 x 4 B Hinge	WH			12

## Splash Blocks



Part #	Description	Piece Length	Pieces/ Box
SBC	Concrete 20" L x 10" W Splash Block	20"	Order by the pc.


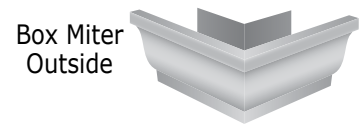
## Rainware & Accessories Colors

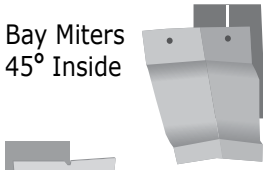
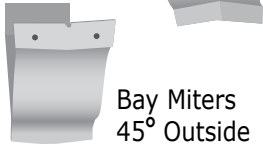
COLOR	CODE	COLOR	CODE	COLOR	CODE	COLOR	CODE	COLOR	CODE
NX ALMOND	AD	CAMEO	CA	EVEREST	EV	PEBBLESTONE CLAY	PC	NX SIERRA CLAY	SI
ALMOND	AL	CHARCOAL GREY	CG	EVERGREEN	EG	PG METALLIC	M3	TERRA BRONZE	TB
ANTIQUÉ IVORY	AI	CLASSIC CREAM	CC	HARBOR GREY	HG	REDWOOD	RW	TUXEDO GREY	TX
BEAVER BROWN	BB	COPPER PENNY	CP	HERRINGBONE	HN	ROYAL BROWN	RB	VICTORIAN GREY	VG
BLACK	BK	COUNTRY BLUE	CU	NX LINEN	LN	*RUSTIC COPPER	M2	VILLAGE GREEN	VI
BRONZE	BZ	DESERT SAND	DS	LINEN	LI	NX SAND STONE	SS	WHITE	WH
BROOKSTONE	BS	NX DUNE	CD	MUSKET BROWN	MB	SANDTONE	ST	80 WHITE	80
BUCKSKIN	BU							WICKER	WI

\*Rustic Copper is a PREMIUM color. NOTE: Rustic Copper (M2) accessories, including miters and end caps, may display paint finish variations due to the metallic painting process, which may affect matching components.

# NORANDEX™ Miters

HOUSTON PLANT

Box Miters		Part #	Description	Colors	Nom. Gauge/ Thickness	Pieces/ Box
 <p>Box Miter Inside</p>  <p>Box Miter Outside</p>	ABM5I - -	Aluminum 5" Inside Box Miter	(Listed Below)	0.019	20	
	ABM5IM2	Aluminum 5" Inside Box Miter	M2 (Premium Color)	0.019	20	
	ABM5O - -	Aluminum 5" Outside Box Miter	(Listed Below)	0.019	20	
	ABM5OM2	Aluminum 5" Outside Box Miter	M2 (Premium Color)	0.019	20	
	ABM6I - -	Aluminum 6" Inside Box Miter	(Listed Below)	0.019	20	
	ABM6IM2	Aluminum 6" Inside Box Miter	M2 (Premium Color)	0.019	20	
	ABM6O - -	Aluminum 6" Outside Box Miter	(Listed Below)	0.019	20	
	ABM6OM2	Aluminum 6" Outside Box Miter	M2 (Premium Color)	0.019	20	
	CBM6I	Copper 6" Inside Box Miter	Copper	16 oz	Order by the pc.	
	CBM6O	Copper 6" Outside Box Miter	Copper	16 oz	Order by the pc.	

Bay Miters		Part #	Description	Colors	Nom. Gauge/ Thickness	Pieces/ Box
 <p>Bay Miters 45° Inside</p>  <p>Bay Miters 45° Outside</p>	ABY5I - -	Aluminum 5" Inside Bay Miter	(Listed Below)	0.019	20	
	ABY5IM2	Aluminum 5" Inside Bay Miter	M2 (Premium Color)	0.019	20	
	ABY5O - -	Aluminum 5" Outside Bay Miter	(Listed Below)	0.019	20	
	ABY5OM2	Aluminum 5" Outside Bay Miter	M2 (Premium Color)	0.019	20	
	ABY6I - -	Aluminum 6" Inside Bay Miter	(Listed Below)	0.019	20	
	ABY6IM2	Aluminum 6" Inside Bay Miter	M2 (Premium Color)	0.019	20	
	ABY6O - -	Aluminum 6" Outside Bay Miter	(Listed Below)	0.019	20	
	ABY6OM2	Aluminum 6" Outside Bay Miter	M2 (Premium Color)	0.019	20	
	LBY5I	Galvalume 5" Inside Bay Miter	Mill	26 ga	20	
	LBY5O	Galvalume 5" Outside Bay Miter	Mill	26 ga	20	
	LBY6I	Galvalume 6" Inside Bay Miter	Mill	26 ga	20	
	LBY6O	Galvalume 6" Outside Bay Miter	Mill	26 ga	20	
CBY5I	Copper 5" Inside Bay Miter	Copper	16 oz	Order by the pc.		
CBY5O	Copper 5" Outside Bay Miter	Copper	16 oz	Order by the pc.		
CBY6I	Copper 6" Inside Bay Miter	Copper	16 oz	Order by the pc.		
CBY6O	Copper 6" Outside Bay Miter	Copper	16 oz	Order by the pc.		

Strip Miters		Part #	Description	Colors	Nom. Gauge/ Thickness	Pieces/ Box
 <p>Strip Miters 90° Inside</p>  <p>Strip Miters 90° Outside</p>	ASM5I - -	Aluminum 5" Inside Strip Miter	(Listed Below)	0.027	20	
	ASM5IM2	Aluminum 5" Inside Strip Miter	M2 (Premium Color)	0.027	20	
	ASM5O - -	Aluminum 5" Outside Strip Miter	(Listed Below)	0.027	20	
	ASM5OM2	Aluminum 5" Outside Strip Miter	M2 (Premium Color)	0.027	20	
	ASM6I - -	Aluminum 6" Inside Strip Miter	(Listed Below)	0.027	20	
	ASM6IM2	Aluminum 6" Inside Strip Miter	M2 (Premium Color)	0.027	20	
	ASM6O - -	Aluminum 6" Outside Strip Miter	(Listed Below)	0.027	20	
	ASM6OM2	Aluminum 6" Outside Strip Miter	M2 (Premium Color)	0.027	20	
	LSM5I	Galvalume 5" Inside Strip Miter	Mill	26 ga	20	
	LSM5O	Galvalume 5" Outside Strip Miter	Mill	26 ga	20	
	LSM6I	Galvalume 6" Inside Strip Miter	Mill	26 ga	20	
	LSM6O	Galvalume 6" Outside Strip Miter	Mill	26 ga	20	
CSM5I	Copper 5" Inside Strip Miter		16 oz	Order by the pc.		
CSM5O	Copper 5" Outside Strip Miter		16 oz	Order by the pc.		
CSM6I	Copper 6" Inside Strip Miter		16 oz	Order by the pc.		
CSM6O	Copper 6" Outside Strip Miter		16 oz	Order by the pc.		

## Rainware & Accessories Colors

COLOR	CODE	COLOR	CODE	COLOR	CODE	COLOR	CODE	COLOR	CODE
NX ALMOND	AD	CAMEO	CA	EVEREST	EV	PEBBLESTONE CLAY	PC	NX SIERRA CLAY	SI
ALMOND	AL	CHARCOAL GREY	CG	EVERGREEN	EG	PG METALLIC	M3	TERRA BRONZE	TB
ANTIQUE IVORY	AI	CLASSIC CREAM	CC	HARBOR GREY	HG	REDWOOD	RW	TUXEDO GREY	TX
BEAVER BROWN	BB	COPPER PENNY	CP	HERRINGBONE	HN	ROYAL BROWN	RB	VICTORIAN GREY	VG
BLACK	BK	COUNTRY BLUE	CU	NX LINEN	LN	*RUSTIC COPPER	M2	VILLAGE GREEN	VI
BRONZE	BZ	DESERT SAND	DS	LINEN	LI	NX SAND STONE	SS	WHITE	WH
BROOKSTONE	BS	NX DUNE	CD	MUSKET BROWN	MB	SANDTONE	ST	80 WHITE	80
BUCKSKIN	BU							WICKER	WI

\*Rustic Copper is a PREMIUM color. NOTE: Rustic Copper (M2) accessories, including miters and end caps, may display paint finish variations due to the metallic painting process, which may affect matching components.



# NORANDEX™ Extreme Miter, Joints & End Caps HOUSTON PLANT

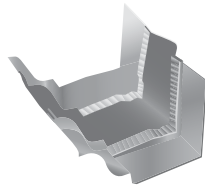
## Extreme Miter™



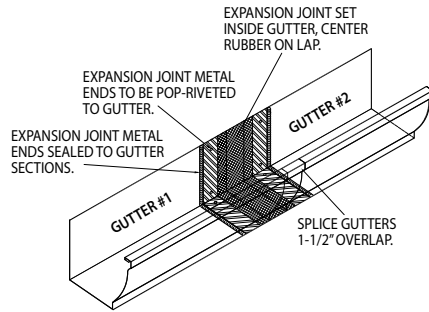
Extreme Miter™

Part #	Description	Colors	Nom. Gauge/ Thickness	Pieces/ Box
AEM5 - -	Aluminum 5" Extreme Miter™	80, WH, RB	0.019	10
AEM6WH	Aluminum 6" Extreme Miter™	WH	0.019	10

## Expansion Joints



Part #	Description	Colors	Nom. Gauge/ Thickness	Pieces/ Box
AEJ5ML	Aluminum 5" Expansion Joint	Mill	0.030	12
AEJ6ML	Aluminum 6" Expansion Joint	Mill	0.030	12

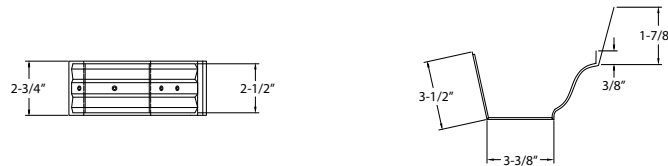


A 50' section of gutter can potentially expand almost 2/3 of an inch from winter to summer moving the fasteners back and forth until the gutter falls down. Expansion joints are a preventive measure for excessive movement in the gutter, and should be mounted in place every 50' of exceptionally long gutter runs.

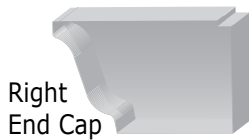
## Slip Joints



Part #	Description	Colors	Nom. Gauge/ Thickness	Pieces/ Box
ASJC5 - -	Aluminum 5" Slip Joint	RB, WH	0.019	50



## End Caps



Right End Cap



Left End Cap

Part #	Description	Colors	Nom. Gauge/ Thickness	Piece Length	Pieces/ Box
AEC5L - -	Aluminum 5" Left End Cap	(Listed Below)	0.019	5"	50
AEC5LM2	Aluminum 5" Left End Cap	M2 (Premium Color)	0.019	5"	50
AEC5R - -	Aluminum 5" Right End Cap	(Listed Below)	0.019	5"	50
AEC5RM2	Aluminum 5" Right End Cap	M2 (Premium Color)	0.019	5"	50
AEC6L - -	Aluminum 6" Left End Cap	(Listed Below)	0.019	6"	50
AEC6LM2	Aluminum 6" Left End Cap	M2 (Premium Color)	0.019	6"	50
AEC6R - -	Aluminum 6" Right End Cap	(Listed Below)	0.019	6"	50
AEC6RM2	Aluminum 6" Right End Cap	M2 (Premium Color)	0.019	6"	50
LEC5L	Galvalume 5" Left End Cap	Mill	26 ga	5"	50
LEC5R	Galvalume 5" Right End Cap	Mill	26 ga	5"	50
LEC6L	Galvalume 6" Left End Cap	Mill	26 ga	6"	50
LEC6R	Galvalume 6" Right End Cap	Mill	26 ga	6"	50
CEC5L	Copper 5" Left End Cap	Copper	10 oz	5"	Order by the pc.
CEC5R	Copper 5" Right End Cap	Copper	10 oz	5"	Order by the pc.
CEC6L	Copper 6" Left End Cap	Copper	10 oz	6"	Order by the pc.
CEC6R	Copper 6" Right End Cap	Copper	10 oz	6"	Order by the pc.

## Rainware & Accessories Colors

COLOR	CODE	COLOR	CODE	COLOR	CODE	COLOR	CODE	COLOR	CODE
NX ALMOND	AD	CAMEO	CA	EVEREST	EV	PEBBLESTONE CLAY	PC	NX SIERRA CLAY	SI
ALMOND	AL	CHARCOAL GREY	CG	EVERGREEN	EG	PG METALLIC	M3	TERRA BRONZE	TB
ANTIQUÉ IVORY	AI	CLASSIC CREAM	CC	HARBOR GREY	HG	REDWOOD	RW	TUXEDO GREY	TX
BEAVER BROWN	BB	COPPER PENNY	CP	HERRINGBONE	HN	ROYAL BROWN	RB	VICTORIAN GREY	VG
BLACK	BK	COUNTRY BLUE	CU	NX LINEN	LN	*RUSTIC COPPER	M2	VILLAGE GREEN	VI
BRONZE	BZ	DESERT SAND	DS	LINEN	LI	NX SAND STONE	SS	WHITE	WH
BROOKSTONE	BS	NX DUNE	CD	MUSKET BROWN	MB	SANDTONE	ST	80 WHITE	80
BUCKSKIN	BU							WICKER	WI

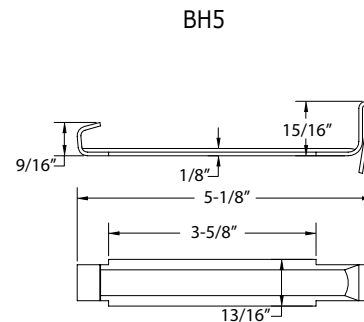
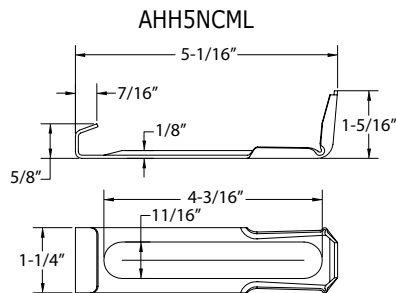
\*Rustic Copper is a PREMIUM color. NOTE: Rustic Copper (M2) accessories, including miters and end caps, may display paint finish variations due to the metallic painting process, which may affect matching components.



# NORANDEX™ Hangers

HOUSTON PLANT

Hangers	Part #	Description	Colors	Nom. Gauge/ Thickness	Piece Length	Pieces/ Box
<b>Hidden</b>						
AHH5NCML	AHH5NCML	Aluminum 5" Backless Std. Bar Hanger	Mill	0.060	5-1/16"	400
	AHHWF5ML	Aluminum 5" Flanged Hanger with Clip	Mill	0.060	5"	250
AHHWF5ML	AHT5CML	Aluminum 5" Hangtite Hanger with Clip	Mill	0.060	5"	1,000
	AHT5ML	Aluminum 5" Hangtite Hanger without Clip	Mill	0.060	5"	1,000
	AHU51ML	Aluminum 5" Ultra Hanger without Clip	Mill	0.048	5"	100
	AHU5ML	Aluminum 5" Ultra Hanger without Clip	Mill	0.048	5"	1000
AHT5CML	AHU51CML	Aluminum 5" Ultra Hanger with Clip	Mill	0.048	5"	100
	AHU5CML	Aluminum 5" Ultra Hanger with Clip	Mill	0.048	5"	1000
	ABH6ML	Aluminum 6" Backless Std. Bar Hanger	Mill	0.060	6-1/8"	750
ABH6ML	AHHWF6ML	Aluminum 6" Flanged Hanger with Clip	Mill	0.060	6"	250
	AHT6CML	Aluminum 6" Hangtite Hanger with Clip	Mill	0.060	6"	1,000
	AHT6ML	Aluminum 6" Hangtite Hanger without Clip	Mill	0.060	6"	1,000
	AHU61ML	Aluminum 6" Ultra Hanger without Clip	Mill	0.048	6"	100
	AHU6ML	Aluminum 6" Ultra Hanger without Clip	Mill	0.048	6"	1000
	AHU61CML	Aluminum 6" Ultra Hanger with Clip	Mill	0.048	6"	100
	AHU6CML	Aluminum 6" Ultra Hanger with Clip	Mill	0.048	6"	800
	<hr/>					
GHT5CML Galvalume 5" Hangtite Hanger with Clip Mill 26 ga 5" 100						
GBH6ML Galvalume 6" Backless Hanger Mill 26 ga 6" 100						
GHT6CML Galvalume 6" Hangtite Hanger with Clip Mill 26 ga 6" 100						
<hr/>						
CH5	CH5	Copper 5" Hook Hanger	Copper	16 oz	5"	Order by the pc.
	CH6	Copper 6" Hook Hanger	Copper	16 oz	6"	Order by the pc.
BH5	BH5	Brass 5" Hanger with Clip	Brass	0.115	5-1/8"	250
	BH6	Brass 6" Hanger with Clip	Brass	0.115	6-3/16"	150
	BHH6	Brass 6" Hook Hanger	Brass	0.115	6"	100



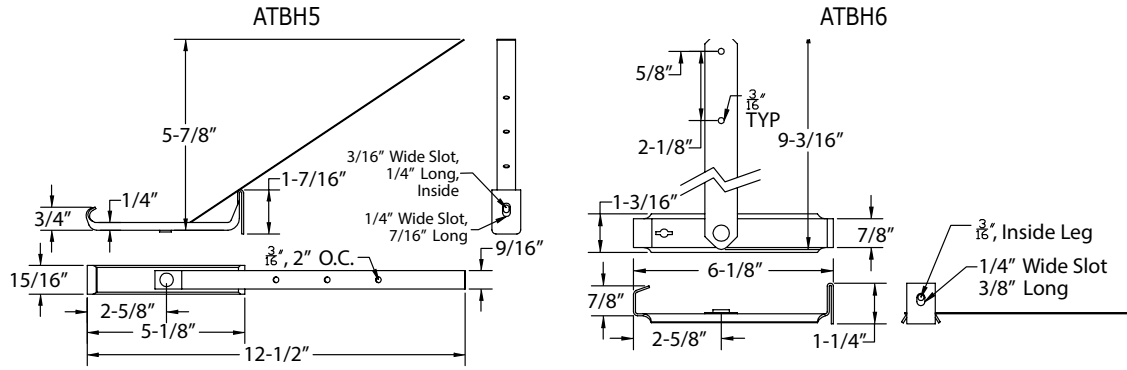


# NORANDEX™ Hangers

HOUSTON PLANT

## Hangers cont.

Part #	Description	Colors	Nom. Gauge/ Thickness	Piece Length	Pieces/ Box
<b>T-Bar</b>					
ATBH5 - -	Aluminum 5" T-Bar Painted Strap	RB, WH	0.060	12-1/2"	100
ATBH5ML	Aluminum 5" T-Bar Painted Strap	Mill	0.060	12-1/2"	100
ATBH6 - -	Aluminum 6" T-Bar Painted Strap	RB, WH	0.060	6-1/8"	50
ATBH6ML	Aluminum 6" T-Bar Painted Strap	Mill	0.060	6-1/8"	50

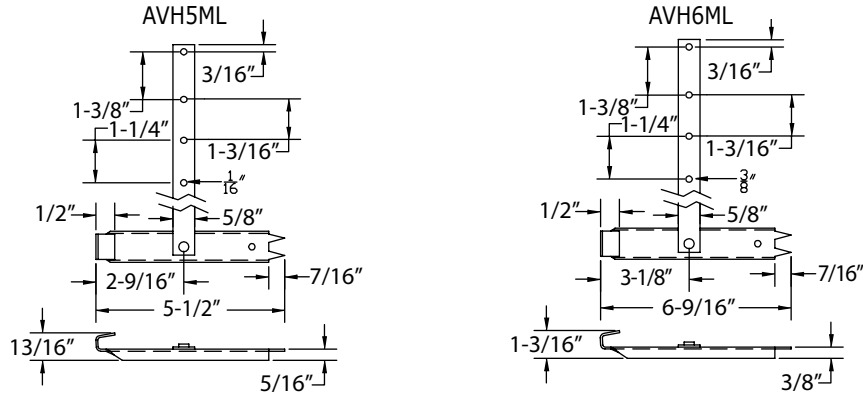


## Vampire

AVH5ML	Aluminum 5" Vampire Hanger	Mill	0.060	5-1/2"	100
AVH6ML	Aluminum 6" Vampire Hanger	Mill	0.060	6-9/16"	100



**Note:** Proper installation requires the use of a Vampire Hanger tool manufactured by "Malco".



## Rainware & Accessories Colors

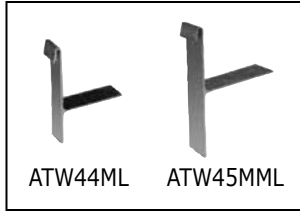
COLOR	CODE	COLOR	CODE
ROYAL BROWN	RB	WHITE	WH





# NORANDEX™ Hangers

HOUSTON PLANT

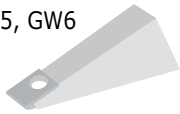
**T-Wedge**

Part #	Description	Colors	Nom. Gauge/ Thickness	Pieces/ Bag
ATW44ML	Aluminum 5" T-Wedge 4400	Mill	0.070	50
ATW45MML	Aluminum 5"-6" T-Wedge 4500	Mill	0.070	50

*A T-Wedge can be adjusted to keep the gutter level at various fascia board angles.*

**Gutter Wedges**

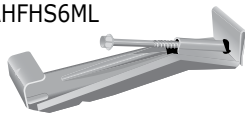
GW5, GW6



Part #	Description	Colors	Nom. Gauge/ Thickness	Pieces/ Box
GW5 - -	Aluminum 5" Gutter Wedge	RB, WH	0.027	100
GW6 - -	Aluminum 6" Gutter Wedge	RB, WH	0.027	50

**Hangers with Screws**

AHFHS6ML



Part #	Description	Colors	Nom. Gauge/ Thickness	Piece Length	Pieces/ Box
AHF55CS	Alum. 5" Hang Fast Hanger w/Screw & Clip	Mill	0.060	5"	500
AHFHS6ML	Alum. 6" Hangtite Hidden Hanger w/Screw	Mill	0.060	6"	300
AHUTS5CML	Alum. 5" Ultimate Hidden Hanger w/Screw & Clip	Mill	0.061	5"	400
AHUTS6CML	Alum. 6" Ultimate Hidden Hanger w/Screw & Clip	Mill	0.061	6"	300

**Rainware & Accessories Colors**

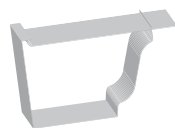
COLOR	CODE	COLOR	CODE
ROYAL BROWN	RB	WHITE	WH



# NORANDEX™ Rainware Accessories

HOUSTON PLANT

## Fascia Brackets



Part #	Description	Colors	Nom. Gauge/ Thickness	Pieces/ Box
AFBH5 - -	Aluminum 5" Fascia Bracket	RB, WH, 80	0.060	100

### Rainware & Accessories Colors

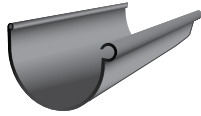
COLOR	CODE	COLOR	CODE	COLOR	CODE
ROYAL BROWN	RB	WHITE	WH	WHITE 80	80



# NORANDEX™ Round & Half Round Products

HOUSTON PLANT

## Half Round Gutters



Part #	Description	Colors	Nom. Gauge/ Thickness	Piece Length	Pieces/ Box	Boxes/ Pallet
AGUH610 - -	Alum. 6" Reverse Bead 10' Sections	(Listed Below)	0.027	10'	5	16
AGUH610M2	Alum. 6" Reverse Bead 10' Sections	M2 (Premium Color)	0.027	10'	5	16
AGUH620 - -	Alum. 6" Reverse Bead 20' Sections	(Listed Below)	0.027	20'	5	16
AGUH620M2	Alum. 6" Reverse Bead 20' Sections	M2 (Premium Color)	0.027	20'	5	16
LGUH610	Glum. 6" Reverse Bead 10' Sections	Mill	26 ga	10'	5	16
LGUH620	Glum. 6" Reverse Bead 20' Sections	Mill	26 ga	20'	5	16
CGUH610	Copper 6" Reverse Bead 10' Sections	Copper	10 oz	10'	5	
CGUH620	Copper 6" Reverse Bead 20' Sections	Copper	10 oz	20'	5	

**Sold in 5-count cartons only.**

## Round Downspouts



Part #	Description	Colors	Nom. Gauge/ Thickness	Piece Length	Pieces/ Box	Boxes/ Pallet
ADSR310 - -	Alum. 3" Round x 10', Smooth	(Listed Below)	0.019	10'	5	30
ADSR310M2	Alum. 3" Round x 10', Smooth	M2 (Premium Color)	0.019	10'	5	30
ADSR410 - -	Alum. 4" Round x 10', Smooth	(Listed Below)	0.019	10'	5	20
ADSR410M2	Alum. 4" Round x 10', Smooth	M2 (Premium Color)	0.019	10'	5	20
GDSR410 - -	Galv. 4" Round x 10'	(Listed Below)	26 ga	10'	5	30
GDSR410ML	Galv. 4" Round x 10'	Mill	26 ga	10'	5	30
LDSR310	Glum. 3" Round x 10', Plain	Mill	26 ga	10'	5	28
LDSR410	Glum. 4" Round x 10', Plain	Mill	26 ga	10'	5	28
CDSR310	Copper 3" Round x 10', Smooth	Copper	10 oz	10'	Order by the pc.	
CDSR410	Copper 4" Round x 10', Smooth	Copper	10 oz	10'	Order by the pc.	

## Rainware & Accessories Aluminum Colors

COLOR	CODE	COLOR	CODE	COLOR	CODE	COLOR	CODE	COLOR	CODE
ALMOND	AL	CAMEO	CA	MUSKET BROWN	MB	RUSTIC COPPER	M2	VICTORIAN GREY	VG
BEAVER BROWN	BB	CHARCOAL GREY	CG	PEBBLESTONE CLAY	PC	SANDTONE	ST	WICKER	WI
BLACK	BK	CLASSIC CREAM	CC	PG METALLIC	M3	NX SIERRA CLAY	SI	30 WHITE	WH
BRONZE	BZ	COPPER PENNY	CP	ROYAL BROWN	RB	TERRA BRONZE	TB	80 WHITE	80
BUCKSKIN	BU	HARBOR GREY	HG						

■ Stocked half-round colors. Balance of colors available with extended lead-time.

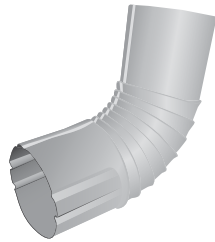
\*Rustic Copper is a PREMIUM color. NOTE: Rustic Copper (M2) accessories, including miters and end caps, may display paint finish variations due to the metallic painting process, which may affect matching components.

## Rainware Steel Colors:

COLOR	CODE	COLOR	CODE	COLOR	CODE	COLOR	CODE	COLOR	CODE
BEAVER BROWN	BB	CLASSIC CREAM	CC	EVERGREEN	EG	PEBBLESTONE CLAY	PC	TAHOE BLUE	TA
BLACK	BK	COUNTRY BLUE	CU	HARBOR GREY	HG	PRIME	PR	VICTORIAN GREY	VG
BRONZE	BZ	DESERT SAND	DS	HARVEST BROWN	HV	REDWOOD	RW	WICKER	WI
CHARCOAL GREY	CG	EGGSHELL	ES	MUSKET BROWN	MB	ROYAL BROWN	RB	30 WHITE	WH



## Round Elbows



Part #	Description	Colors	Nom. Gauge/ Thickness	Pieces/ Box	Boxes/ Pallet
AER3 - -	Aluminum 3" Round 75°	(Listed Below)	0.019	30	16
AER3M2	Aluminum 3" Round 75°	M2 (Premium Color)	0.019	30	16
AER4 - -	Aluminum 4" Round 75°	(Listed Below)	0.019	30	16
AER4M2	Aluminum 4" Round 75°	M2 (Premium Color)	0.019	30	16
GER430ML	Galvanized 4" Round 30°	Mill	26 ga	20	24
GER445 - -	Galvanized 4" Round 45°	(Listed Below)	26 ga	20	24
GER445ML	Galvanized 4" Round 45°	Mill	26 ga	20	24
GER475 - -	Galvanized 4" Round 75°	(Listed Below)	26 ga	20	24
GER475ML	Galvanized 4" Round 75°	Mill	26 ga	20	24
LER3	Galvalume 3" Round 75°	Mill	26 ga	10	32
LER445	Galvalume 4" Round 45°	Mill	26 ga	10	32
LER4	Galvalume 4" Round 75°	Mill	26 ga	10	32
CER330	Copper 3" Round 30°	Copper	10 oz	Order by the pc.	
CER3	Copper 3" Round 75°	Copper	10 oz	Order by the pc.	
CER430	Copper 4" Round 30°	Copper	10 oz	Order by the pc.	
CER4	Copper 4" Round 75°	Copper	10 oz	Order by the pc.	

## Round Offsets



Part #	Description	Colors	Nom. Gauge/ Thickness	Pieces/ Box
ABO12R3 - -	Aluminum 2" Offset 3" Round	(Listed Below)	0.019	20
ABO12R3M2	Aluminum 2" Offset 3" Round	M2 (Premium Color)	0.019	20
ABO14R3 - -	Aluminum 4" Offset 3" Round	(Listed Below)	0.019	20
ABO14R3M2	Aluminum 4" Offset 3" Round	M2 (Premium Color)	0.019	20
ABO12R4 - -	Aluminum 2" Offset 4" Round	(Listed Below)	0.019	20
ABO12R4M2	Aluminum 2" Offset 4" Round	M2 (Premium Color)	0.019	20
ABO14R4 - -	Aluminum 4" Offset 4" Round	(Listed Below)	0.019	20
ABO14R4M2	Aluminum 4" Offset 4" Round	M2 (Premium Color)	0.019	20
ABO16R4 - -	Aluminum 6" Offset 4" Round	(Listed Below)	0.019	20
CBO12R3	Copper 2" Offset 3" Round	Copper	10 oz	Order by the pc.
CBO14R3	Copper 4" Offset 3" Round	Copper	10 oz	Order by the pc.
CBO12R4	Copper 2" Offset 4" Round	Copper	10 oz	Order by the pc.
CBO14R4	Copper 4" Offset 4" Round	Copper	10 oz	Order by the pc.
CBO16R4	Copper 6" Offset 4" Round	Copper	10 oz	Order by the pc.

## Rainware & Accessories Aluminum Colors

COLOR	CODE	COLOR	CODE	COLOR	CODE	COLOR	CODE	COLOR	CODE
ALMOND	AL	BUCKSKIN	BU	HARBOR GREY	HG	ROYAL BROWN	RB	VICTORIAN GREY	VG
ANTIQUÉ IVORY	AI	CAMEO	CA	■ MUSKET BROWN	MB	★ ■ RUSTIC COPPER	M2	WICKER	WI
BEAVER BROWN	BB	CHARCOAL GREY	CG	PEBBLESTONE CLAY	PC	SANDTONE	ST	■ 30 WHITE	WH
BLACK	BK	CLASSIC CREAM	CC	PG METALLIC	M3	TERRA BRONZE	TB	80 WHITE	80
■ BRONZE	BZ	■ COPPER PENNY	CP						

■ Stocked half-round colors. Balance of colors available with extended lead-time.

★ Rustic Copper is a PREMIUM color. NOTE: Rustic Copper (M2) accessories, including miters and end caps, may display paint finish variations due to the metallic painting process, which may affect matching components.



# NORANDEX™ Half Round Products

HOUSTON PLANT

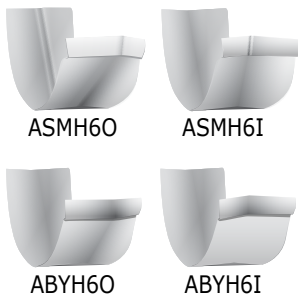
## Half Round Outlets



Part #	Description	Colors	Nom. Gauge/ Thickness	Pieces/ Box
AOROH63ML	Aluminum 3" Round x 6" HR Outlet	*	0.019	50
AOROH64ML	Aluminum 4" Round x 6" HR Outlet	*	0.019	50
GOROH63	Galvanized 3" Round x 6" HR Outlet	*	26 ga	Order by the pc.
GOROH64	Galvanized 4" Round x 6" HR Outlet	*	26 ga	Order by the pc.
COROH63	Copper 3" Round x 6" HR Outlet	Copper	10 oz	Order by the pc.
COROH64	Copper 4" Round x 6" HR Outlet	Copper	10 oz	Order by the pc.

\*NOTE: Aluminum outlets made with mill or painted finish per manufacturer's discretion.

## Half Round Miters



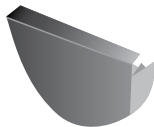
Part #	Description	Colors	Nom. Gauge/ Thickness	Pieces/ Box
ASM H61 - -	Aluminum 6" 90°, Strip, Inside	(Listed Below)	0.027	20
ASM H61M2	Aluminum 6" 90°, Strip, Inside	M2 (Premium Color)	0.027	20
ASM H60 - -	Aluminum 6" 90°, Strip, Outside	(Listed Below)	0.027	20
ASM H60M2	Aluminum 6" 90°, Strip, Outside	M2 (Premium Color)	0.027	20
ABY H61 - -	Aluminum 6" 45°, Bay, Inside	(Listed Below)	0.027	20
ABY H61M2	Aluminum 6" 45°, Bay, Inside	M2 (Premium Color)	0.027	20
ABY H60 - -	Aluminum 6" 45°, Bay, Outside	(Listed Below)	0.027	20
ABY H60M2	Aluminum 6" 45°, Bay, Outside	M2 (Premium Color)	0.027	20
LSM H61	Galvalume 6" 90°, Strip, Inside	Mill	26 ga	20
LSM H60	Galvalume 6" 90°, Strip, Outside	Mill	26 ga	20
CSM H61	Copper 6" 90°, Strip, Inside	Copper	10 oz	20
CSM H60	Copper 6" 90°, Strip, Outside	Copper	10 oz	20

## Half Round Slip Joints



Part #	Description	Colors	Nom. Gauge/ Thickness	Pieces/ Box
ASJCH6WH	Aluminum 6" HR Slip Joint	WH	0.019	Order by the pc.
LSJCH6WH	Galvalume 6" HR Slip Joint	WH	26 ga	Order by the pc.

## Half Round End Caps



Part #	Description	Colors	Nom. Gauge/ Thickness	Pieces/ Box
AECH6 - -	Aluminum 6" HR Universal End Cap	(Listed Below)	0.019	20
AECH6M2	Aluminum 6" HR Universal End Cap	M2 (Premium Color)	0.019	20
LECH6	Galvalume 6" HR Universal End Cap	Mill	26 ga	20
CECH6	Copper 6" HR Universal End Cap	Mill	26 ga	20

## Rainware & Accessories Aluminum Colors

COLOR	CODE	COLOR	CODE	COLOR	CODE	COLOR	CODE	COLOR	CODE
ALMOND	AL	BUCKSKIN	BU	HARBOR GREY	HG	ROYAL BROWN	RB	VICTORIAN GREY	VG
ANTIQUE IVORY	AI	CAMEO	CA	■ MUSKET BROWN	MB	★ ■ RUSTIC COPPER	M2	WICKER	WI
BEAVER BROWN	BB	CHARCOAL GREY	CG	PEBBLESTONE CLAY	PC	SANDTONE	ST	■ 30 WHITE	WH
BLACK	BK	CLASSIC CREAM	CC	PG METALLIC	M3	TERRA BRONZE	TB	80 WHITE	80
■ BRONZE	BZ	■ COPPER PENNY	CP						

■ Stocked half-round colors. Balance of colors available with extended lead-time.

★ Rustic Copper is a PREMIUM color. NOTE: Rustic Copper (M2) accessories, including miters and end caps, may display paint finish variations due to the metallic painting process, which may affect matching components.



# NORANDEX™ Half Round Products

HOUSTON PLANT

## Half Round Brackets

ACC10H6



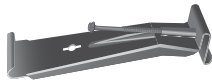
AHRFH6



Part #	Description	Colors	Pieces/ Box
ACC10H6 - -	Aluminum 6" HR Combo Cir/Shk w/Clip Hanger	BZ, MB, 80	Order by the pc.
ACC10H6ML	Aluminum 6" HR Combo Cir/Shk w/Clip Hanger	Mill	Order by the pc.
AHRFH6 - -	Aluminum 6" HR Fascia Hanger	BZ, MB, WH	Order by the pc.
GCC10H6	Galvanized 6" HR Combo Cir/Shk w/Clip Hanger	Mill	Order by the pc.
* GSC10H6	Galvanized 6" 10# Spring Clip Combo	Mill	50
LHRFH6	Galvalume 6" HR Fascia Hanger	Mill	Order by the pc.
** BSC10H6	Brass Spring Clip for #10 Combo	Brass	50
CCC10H6	Copper 6" HR Combo Cir/Shk w/Clip Hanger	Copper	Order by the pc.
CHRFH6	Copper 6" HR Fascia Hanger	Copper	20

\*For use with part GCC10H6.  
\*\*For use with part CCC10H6.

## Half Round Hidden Hangers



Part #	Description	Colors	Pieces/ Box
AHHR6ML	Aluminum 6" HR Hook Hanger	Mill	100
AHSHR6ML	Aluminum 6" HR Hidden Clip Hanger w/Screw	Mill	100
SHHR6ML	Stainless Steel 6" HR Hook Hanger	Mill	100

**Note: Only for reverse bead half round gutters**

## Half Round T-Wedge Hangers



Part #	Description	Colors	Nom. Gauge/ Thickness	Pieces/ Bag
ATWHR49ML	Aluminum HR T-Wedge 4900	Mill	0.070	50

A T-Wedge can be adjusted to keep the gutter level at various fascia board angles.

### Rainware Aluminum Colors:

COLOR	CODE	COLOR	CODE	COLOR	CODE	COLOR	CODE
BRONZE	BZ	MUSKET BROWN	MB	WHITE	WH	80 WHITE	80



# NORANDEX™ Gutter Protection

HOUSTON PLANT

Screen Systems	Part #	Description	Color	Nom. Gauge/ Thickness	Piece Length	Pieces/ Box	Feet/ Box
----------------	--------	-------------	-------	--------------------------	-----------------	----------------	--------------



**NEW NX Premium Stainless Steel Micro Mesh**

*The ultimate in gutter protection! This tightly woven, heavy gauge stainless steel micro mesh gutter guard, with its corrosion-resistant properties, is a significant debris deterrent. It installs easily under the shingles and fastens to the front gutter hem with provided screws, while self-adjusting to various roof pitches.*

ALGP5SPML	Aluminum 5" Premium SS Micro Mesh	Mill	14 ga	4'	25	100'
ALGP6SPML	Aluminum 6" Premium SS Micro Mesh	Mill	14 ga	4'	25	100'



**NX Drop-In**

*The front attachment provides a firm hold to the front of the gutter and has a wide mounting flange for a permanent install. The mill finish aluminum screen is micro crimped for enhanced durability.*

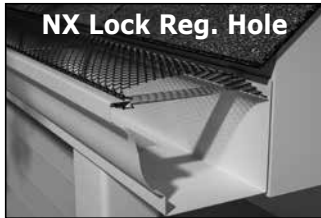
ALGP5D1ML	Aluminum 5" Drop-In	Mill	0.025	4'	50	200'
ALGP6D1ML	Aluminum 6" Drop-In	Mill	0.025	4'	50	200'



**NX Lock Small Hole**

*The small hole screen system installs quickly without disturbing the shingles with its front and back snap lock system.*

GGP5LSHBK	Galvanized 5" Lock Small Hole	BK	28 ga	4'	25	100'
GGP6LSHBK	Galvanized 6" Lock Small Hole	BK	28 ga	4'	25	100'
GGP7LSHBK	Galvanized 7" Lock Small Hole	BK	28 ga	4'	25	100'



**NX Lock Regular Hole**

*The regular hole screen system installs quickly without disturbing the shingles with its front and back snap lock system.*

GGP5LRHBK	Galvanized 5" Lock Regular Hole	BK	28 ga	4'	25	100'
GGP6LRHBK	Galvanized 6" Lock Regular Hole	BK	28 ga	4'	25	100'



**NX Step Down**

*The small hole screen incorporates a raised snap-in system in the back of the gutter to seal off the void between the shingles and the screen. Step Down installs quickly without the use of screws or disturbing the shingles.*

GGP5SDBK	Galvanized 5" Step Down	BK	28 ga	4'	25	100'
GGP6SDBK	Galvanized 6" Step Down	BK	28 ga	4'	25	100'



**NX Premium Lock**

*The tiny holes keeps out small debris, while allowing water to flow through the screen. Two stiffening beads run down the center of the screen for added strength. Installation is quick and easy without disturbing the shingles. The screen locks into place with a raised back and front-tiered mounting system.*

ALGP5PLBK	Aluminum 5" Premium Lock (screen tiny holes)	BK	0.032	4'	25	100'
ALGP6PLBK	Aluminum 6" Premium Lock (screen tiny holes)	BK	0.032	4'	25	100'

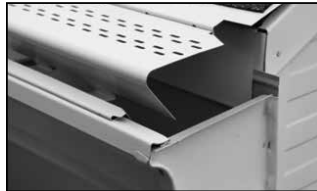
**Gutter Screen System Color:**

COLOR	CODE	COLOR	CODE
BLACK	BK	MILL	ML

# Gutter Protection

HOUSTON PLANT

Gutter Protection		Part #	Description	Colors	Nom. Gauge/ Thickness	Piece Length	Pieces/ Box
ALGLFH55	- -	Aluminum 5"/6" Perforated High-Flow Gutter Cover with Screws 4'	AL, BK, CC, CL, DB, EG, IV, MB, PL, RB, S1, TB, TX, WH	0.024	4'	25	
ALGRX5	- -	Aluminum 5" Drop-In Cover 6'	DB, WH	0.019	6'	50	
ALGRX6	- -	Aluminum 6" Drop-In Cover 6'	DB, WH	0.019	6'	50	
ALGP5CS	- -	Aluminum 5" Clean Sweep 7-1/2'	BK, WH	0.019	7-1/2'	40	
ALGP6CS	- -	Aluminum 6" Clean Sweep 7-1/2'	BK, WH	0.019	7-1/2'	40	



ALGLFH55 Perforated High-Flow



ALGRX5 Drop-In



ALGP5CSWH Clean Sweep

## Gutter Protection Colors:

COLOR	CODE	COLOR	CODE	COLOR	CODE	COLOR	CODE	COLOR	CODE
ALMOND	AL	CLAY	CL	IVORY	IV	ROYAL BROWN	RB	TUXEDO GRAY	TX
BLACK	BK	DARK BRONZE	DB	MUSKET BROWN	MB	SAND	S1	30 WHITE	WH
CLASSIC CREAM	CC	EVERGREEN	EG	PEARL GRAY	PL	TERRA BRONZE	TB		





# NORANDEX™ Siding Accessories

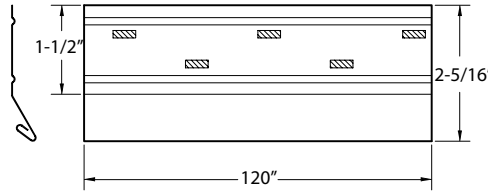
HOUSTON PLANT

## Starter Strip

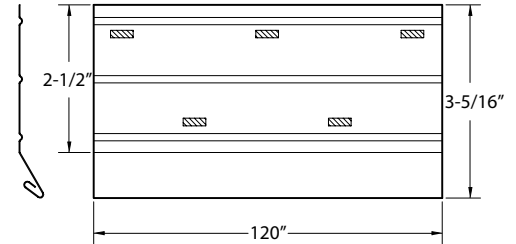


Part #	Description	Colors	Nom. Gauge/ Thickness	Piece Length	Pieces/ Box	Boxes/ Pallet	Pieces/ Pallet
ASS25ML	Aluminum 2-1/2" Starter Strip	Mill	0.019	10'	50	24	1200
ASS35ML	Aluminum 3-1/2" Starter Strip	Mill	0.019	10'	25	24	600
GSS25ML	Galvanized 2-1/2" Starter Strip	Mill	28 ga	10'	50	24	1200
GSS35ML	Galvanized 3-1/2" Starter Strip	Mill	28 ga	10'	25	24	600

ASS25ML, GSS25ML



ASS35ML, GSS35ML

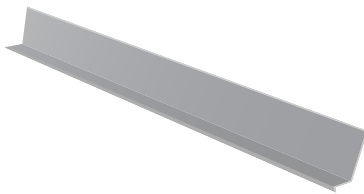


## Z-Bar



Part #	Description	Colors	Nom. Gauge/ Thickness	Piece Length	Pieces/ Box
GZB26213ML	Galvanized 1" Tile Z-Bar	Mill	26 ga	10'	25
GZB30516ML	Galvanized 5/16" Z-Bar	Mill	30 ga	10'	25
GZB3038ML	Galvanized 3/8" Z-Bar	Mill	30 ga	10'	25
GZB30716ML	Galvanized 7/16" Z-Bar	Mill	30 ga	10'	25
GZB3012ML	Galvanized 1/2" Z-Bar	Mill	30 ga	10'	25
GZB3058ML	Galvanized 5/8" Z-Bar	Mill	30 ga	10'	25
GZB3034ML	Galvanized 3/4" Z-Bar	Mill	30 ga	10'	25
GZB301ML	Galvanized 1" Z-Bar	Mill	30 ga	10'	25

## Window Flashing



Part #	Description	Colors	Nom. Gauge/ Thickness	Piece Length	Pieces/ Box
GWF30214ML	Galvanized 2 x 1-1/4 x 1/2 Wind. Flash.	Mill	30 ga	10'	Order by the pc.
GWF30215ML	Galvanized 2 x 1-1/2 x 1/2 Wind. Flash.	Mill	30 ga	10'	Order by the pc.
GWF30213ML	Galvanized 2 x 1-3/4 x 1/2 Wind. Flash.	Mill	30 ga	10'	Order by the pc.
GWF30225ML	Galvanized 2 x 2-1/2 x 1/2 Wind. Flash.	Mill	30 ga	10'	Order by the pc.
GWF302525M	Galvanized 2-1/2 x 2-1/2 x 1/2 Wind. Flash.	Mill	30 ga	10'	Order by the pc.
GWF302535M	Galvanized 2-1/2 x 3-1/2 x 1/2 Wind. Flash.	Mill	30 ga	10'	Order by the pc.
GWF30315ML	Galvanized 3 x 1-1/2 x 1/2 Wind. Flash.	Mill	30 ga	10'	Order by the pc.
GWF30425ML	Galvanized 4 x 2-1/2 x 1/2 Wind. Flash.	Mill	30 ga	10'	Order by the pc.
GWF3047ML	Galvanized 4 x 7 x 1/2 Wind. Flash.	Mill	30 ga	10'	Order by the pc.
GWF30634ML	Galvanized 6 x 3/4 x 1/2 Wind. Flash.	Mill	30 ga	10'	Order by the pc.
GWF30615ML	Galvanized 6 x 1-1/2 x 1/2 Wind. Flash.	Mill	30 ga	10'	Order by the pc.
GWF30834ML	Galvanized 8 x 3/4 x 1/2 Wind. Flash.	Mill	30 ga	10'	Order by the pc.



**ALUMINUM RAINWARE,  
SIDING ACCESSORIES,  
SOFFIT, FASCIA & TRIM COIL**



**Buy Norandex™ products with confidence knowing that:**

- Norandex™ aluminum products carry a limited lifetime warranty.
- Material and Labor is covered.
- Transferrable at no charge.
- Doesn't require registration.

Norandex™ manufactures Aluminum Soffit, Aluminum Siding & Soffit Accessories, Aluminum Trim Coil, Aluminum Fascia (the "Products"), Aluminum Gutter Coil, and Rainware Accessories in accordance with high standards and tight quality controls. The Products will not rust, burn or support combustion, or split or crack due to cold weather because they are made of aluminum.

**WHAT DOES THIS WARRANTY COVER?**

Norandex™ warrants to you, the owner of the property at the time the Products were installed, that the Products are free from defects in material and workmanship in the course of manufacture, and that the finish on the Products will not chip, peel, flake or blister under conditions of ordinary wear, if installed according to local building codes and industry specifications. This Warranty is limited to the terms and conditions, exclusions and limitations, requirements and legal rights stated in this Warranty.

**HOW LONG DOES THE COVERAGE LAST?**

If you are an individual, this Limited Lifetime Warranty lasts for the life of the property on which the Products were originally applied ("Property") for as long as you own the Property. If you are not an individual (e.g., you are a corporation, condominium, cooperative housing arrangement, unincorporated association, school, church, government or public entity, etc.), the warranty period will be 50 years from the date of original installation of the Products on the Property, prorated as outlined in the Warranty Coverage Schedule contained within. This Limited Lifetime Warranty may be transferred with the Property. However, upon the transfer, the warranty period will be no more than 50 years from the date of original installation of the Products on the Property, prorated in accordance with the Warranty Coverage Schedule contained within.

**WHAT WILL WE DO?**

You must notify us in accordance with the notice requirements outlined below, and we must validate the complaint. In the event the manufacturer is denied access for an inspection, this warranty is null and void. Upon the notification and validation, we will undertake the following:

We will repair, replace or refund the purchase and installation price of the defective portion of our product that blisters, checks, crazes, flakes, peels or weathers unevenly due to a defect in our manufacturing process. Our obligations under this warranty will in no event exceed the purchase price of the originally installed Products found to be warrantable and the cost of the labor involved in the original installation of such defective Products. Any additional costs and expenses beyond these amounts are your responsibility. Norandex™ will not pay or be responsible for any costs associated with or related to anything else affixed to the material or building's roof, including but not limited to solar panels, television antennas, moisture sensors, etc.

In the event of repair, replacement or refinishing under this Warranty, the Warranty applicable to the replacement material or to the repaired or refinished Products will extend only for the time remaining under the original Warranty.

If we elect to repair or replace Product under this warranty, we will also cover the reasonable labor costs for the applicable area, as determined by us.

**WHAT DOESN'T THIS WARRANTY COVER?**

This Warranty does not cover damage of any kind resulting from:

- buckling or rippling of gutters and fascia;
- product that is stored in situations where standing water is covering the surface for prolonged period of time;
- faulty or improper contractor fabrication or installation, including "oil canning" waving, buckling, or other distortions;
- installation of our Product in direct contact with dissimilar materials as discussed in the final section of this warranty;
- cracking or crazing of the Product's paint surface due to field forming of Products in cold temperatures; or
- changes in surface color resulting from chalking, fading, soiling or staining. Exposure to the elements may cause these changes over time; the degree to which weathering occurs will vary depending on air quality,

the building's location and other local conditions over which we have no control;

- accidental damage;
- settlement;
- structural shrinkage or distortion of the property structure;
- fire;
- lightning, hurricane, tornado, windstorm, earthquake, volcanoes, hail, or other acts of God;
- harmful chemicals (including harmful cleaning compounds and pesticides);
- fumes, volcanic smog, or vapors; Warranty does not cover material within 30 miles of volcano.
- surface deterioration due to air pollution or seacoast environment (no coverage if product installation is within 1500 feet of seacoast);
- misuse or abuse;
- vandalism;
- airborne stains, mold and mildew accumulation;
- tiger striping or atmospheric dirt accumulation is a naturally occurring phenomenon that is not covered under the finish warranty;
- your failure (or the failure of subsequent Property owners) to provide reasonable and necessary maintenance of the Products (see "Care and Maintenance Instructions");
- impact of foreign objects;
- warping or distortion due to exposure to excessive heat sources (e.g., barbecue grills) or exposure to unusual or excessive reflective heat sources (e.g., window reflection);
- products that have been painted or whose surface has been altered in any way will void the paint finish warranty;
- any other causes beyond our reasonable control; or
- corrosion caused by contact with dissimilar materials, treated lumber, or direct salt spray.

**OTHER LIMITATIONS**

1. This Warranty covers only genuine Norandex™, Aluminum Soffit, Aluminum Siding & Soffit Accessories, select Aluminum Trim Coil, Aluminum Fascia, and Aluminum Gutter Coil & Rainware Accessories. It is your responsibility to verify that the soffit, fascia, and accessories installed are our Products. For Trim Coil, we require written proof it is Norandex™ product. Our products are warranted in the continental United States, Hawaii, and Alaska.

2. Products that are designed and intended for rainware and trim applications should not be used as roofing material or metal dome gutter protection.

3. Due to normal weathering, replacement Products may differ in gloss and color from Products originally installed on the Property.

4. We reserve the right to discontinue or change any design or color of any of our products at any time and without notice or liability. If, for any reason, Products of the type originally installed are no longer available from us at the time you make a warranty claim, we may substitute another product determined by us to be of comparable quality and price.

5. There are no warranties on these Products other than as set forth in this Warranty. We are not liable to you for a breach of any other written or oral express warranties, such as those, if any, given to you by dealers, contractors, applicators, or distributors of the Products.

6. WE EXCLUDE AND ARE NOT RESPONSIBLE FOR ANY CONSEQUENTIAL OR INCIDENTAL DAMAGES ARISING OUT OF ANY BREACH OF THIS EXPRESSED WARRANTY, OR ANY OTHER ORAL, WRITTEN OR IMPLIED WARRANTY THAT MAY APPLY TO YOUR PURCHASE, AS IT RELATES TO OUR PRODUCTS.

THIS IS YOUR EXCLUSIVE WARRANTY AND IS IN LIEU OF ALL OTHER WARRANTIES, EXPRESSED OR IMPLIED, INCLUDING BUT NOT LIMITED TO IMPLIED WARRANTIES OF MERCHANTABILITY AND FITNESS FOR A PARTICULAR PURPOSE.

7. This Warranty gives you specific legal rights. You may also have other rights which vary from state to state. SOME STATES DO NOT ALLOW THE EXCLUSION OR LIMITATION OF INCIDENTAL OR CONSEQUENTIAL DAMAGES, SO THE ABOVE LIMITATION OR EXCLUSION MAY NOT APPLY TO YOU.



## STEEL RAINWARE AND ACCESSORIES



### **Buy Norandex™ products with confidence knowing that:**

- Norandex™ steel rainware products carry a limited lifetime warranty.
- Material and Labor is covered.
- Doesn't require registration.

Norandex™ manufactures Steel Rainware & Accessories including Gutter Coil in accordance with high standards and tight quality controls. The Products will not burn or support combustion, or split or crack due to cold weather because they are made of steel.

#### **WHAT DOES THIS WARRANTY COVER?**

Norandex™ warrants to you, the owner of the property at the time the Products were installed, that the Products are free from defects in material and workmanship in the course of manufacture, and that the finish on the Products will not chip, peel, flake or blister under conditions of ordinary wear, if installed according to local building codes and industry specifications. This warranty excludes any areas of the material that are within 3/4" of any edge that has been cut subsequent to the application of the paint to the substrate. This Warranty is limited to the terms and conditions, exclusions and limitations, requirements and legal rights stated in this Warranty.

#### **HOW LONG DOES THE COVERAGE LAST?**

If you are an individual, this Limited Lifetime Warranty lasts for the life of the property on which the Products were originally applied ("Property") for as long as you own the Property. If you are not an individual (e.g., you are a corporation, condominium, cooperative housing arrangement, unincorporated association, school, church, government or public entity, etc.), the warranty period will be 50 years from the date of original installation of the Products on the Property, prorated as outlined in the Warranty Coverage Schedule contained within. This Limited Lifetime Warranty is limited to the original owner. Coverage will be 100% for ten years after the installation and prorated after that period. See Warranty Coverage Schedule section for details of prorated coverage.

#### **WHAT WILL WE DO?**

You must notify us in accordance with the notice requirements outlined below, and we must validate the complaint. In the event the manufacturer is denied access for an inspection, this warranty is null and void. Upon the notification and validation, we will undertake the following:

We will repair, replace or refund the purchase and installation price of the defective portion of our product that blisters, checks, crazes, flakes, peels or weathers unevenly due to a defect in our manufacturing process. Our obligations under this warranty will in no event exceed the purchase price of the originally installed Products found to be warrantable and the cost of the labor involved in the original installation of such defective Products. Any additional costs and expenses beyond these amounts are your responsibility. Norandex™ will not pay or be responsible for any costs associated with or related to anything else affixed to the material or building's roof, including but not limited to solar panels, or television antennas, moisture sensors, etc.

In the event of repair, replacement or refinishing under this Warranty, the Warranty applicable to the replacement material or to the repaired or refinished Products will extend only for the time remaining under the original Warranty.

If we elect to repair or replace Product under this warranty, we will also cover the reasonable labor costs for the applicable area, as determined by us.

#### **WHAT DOESN'T THIS WARRANTY COVER?**

This Warranty does not cover damage of any kind resulting from:

- Product that is stored in situations where standing water is covering the surface for prolonged period of time;
- Faulty or improper installation, including "oil canning" waving, buckling, or other distortions;
- Installation of our Product in direct contact with dissimilar materials as discussed in the final section of this warranty;
- Cracking or crazing of the Product's paint surface due to field forming of Products in cold temperatures; or material that has bends less than 2T for a sheet thickness of 0.0299" and thinner and bends less than 4T for a sheet thickness of 0.0300" and thicker.
- Changes in surface color resulting from chalking, fading, soiling or staining. Exposure to the elements may cause these changes over time;

the degree to which weathering occurs will vary depending on air quality, the building's location and other local conditions over which we have no control;

- accidental damage;
- settlement;
- structural shrinkage or distortion of the property structure;
- fire;
- lightning, hurricane, tornado, windstorm, earthquake, hail, or other acts of God;
- harmful chemicals (including harmful cleaning compounds and pesticides);
- fumes, volcanic smog, or vapors; Warranty for material is not given within 30 miles of volcano.
- surface deterioration due to air pollution or seacoast environment; (no Warranty if installed product is within 1 mile of seacoast.)
- misuse or abuse;
- vandalism;
- airborne stains, mold and mildew accumulation;
- Tiger striping or atmospheric dirt accumulation is a naturally occurring phenomenon that is not covered under the finish warranty;
- your failure (or the failure of subsequent Property owners) to provide reasonable and necessary maintenance of the Products (see "Care and Maintenance Instructions");
- impact of foreign objects;
- warping or distortion due to exposure to excessive heat sources (e.g., barbecue grills) or exposure to unusual or excessive reflective heat sources (e.g., window reflection);
- Products that have been painted or whose surface has been altered in any way will void the paint finish warranty;
- any other causes beyond our reasonable control; or
- Corrosion caused by contact with dissimilar materials, treated lumber, or direct salt spray.

#### **OTHER LIMITATIONS**

1. This Warranty covers only genuine Norandex™ Steel Rainware and Accessories, including Gutter Coil. It is your responsibility to verify that the rainware and accessories installed are our Products. Our products are warranted in the continental United States, Hawaii, and Alaska.

2. Products that are designed and intended for rainware and trim applications should not be used as roofing material or metal dome gutter protection.

3. Due to normal weathering, replacement Products may differ in gloss and color from Products originally installed on the Property.

4. We reserve the right to discontinue or change any design or color of any of our products at any time and without notice or liability. If, for any reason, Products of the type originally installed are no longer available from us at the time you make a warranty claim, we may substitute another product determined by us to be of comparable quality and price.

5. There are no warranties on these Products other than as set forth in this Warranty. We are not liable to you for a breach of any other written or oral express warranties, such as those, if any, given to you by dealers, contractors, applicators, or distributors of the Products.

6. WE EXCLUDE AND ARE NOT RESPONSIBLE FOR ANY CONSEQUENTIAL OR INCIDENTAL DAMAGES ARISING OUT OF ANY BREACH OF THIS EXPRESSED WARRANTY, OR ANY OTHER ORAL, WRITTEN OR IMPLIED WARRANTY THAT MAY APPLY TO YOUR PURCHASE, AS IT RELATES TO OUR PRODUCTS.

THIS IS YOUR EXCLUSIVE WARRANTY AND IS IN LIEU OF ALL OTHER WARRANTIES, EXPRESSED OR IMPLIED, INCLUDING BUT NOT LIMITED TO IMPLIED WARRANTIES OF MERCHANTABILITY AND FITNESS FOR A PARTICULAR PURPOSE.

7. This Warranty gives you specific legal rights. You may also have other rights which vary from state to state. SOME STATES DO NOT ALLOW THE EXCLUSION OR LIMITATION OF INCIDENTAL OR CONSEQUENTIAL DAMAGES, SO THE ABOVE LIMITATION OR EXCLUSION MAY NOT APPLY TO YOU.



# NORANDEX™

EXTERIOR PRODUCTS FOR YOUR HOME

## Houston Plant Rainware Colors



30 DEG. WHITE



80 DEG. WHITE



NX ALMOND



ALMOND



ANTIQUÉ IVORY



BEAVER BROWN



BLACK



BRONZE



BROOKSTONE



BUCKSKIN



CAMEO



CHARCOAL GREY



CLASSIC CREAM



COPPER PENNY



COUNTRY BLUE



DESERT SAND



NX DUNE



EVEREST



HARBOR GREY



HERRINGBONE



NX LINEN



LINEN



MUSKET BROWN



PEBBLESTONE CLAY



REDWOOD



ROYAL BROWN



RUSTIC COPPER  
*(Premium Color)*



NX SAND STONE



SANDTONE



NX SIERRA CLAY



TERRA BRONZE



TUXEDO GREY



VICTORIAN GREY



VILLAGE GREEN



WICKER

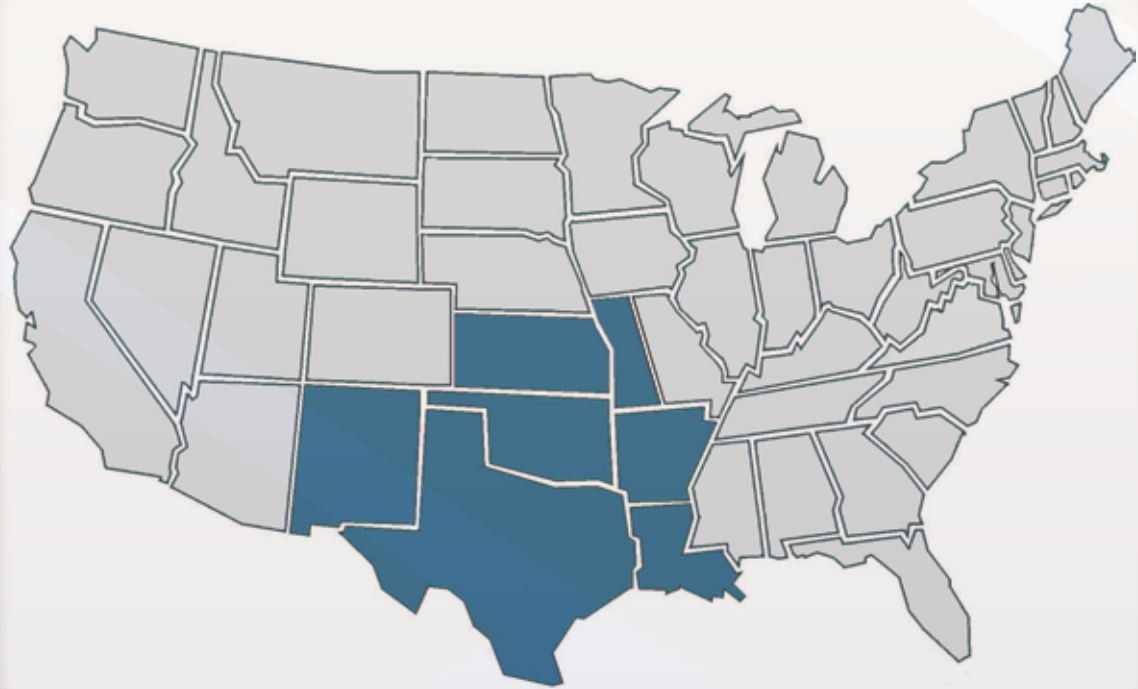
*Note: Please refer to metal color swatches for color accuracy.*

**PROUDLY FINISHED WITH**  
**SHERWIN-WILLIAMS.**  
**Coil Coatings**



# NORANDEX™

EXTERIOR PRODUCTS FOR YOUR HOME



Houston Plant Coverage